


# MS Series



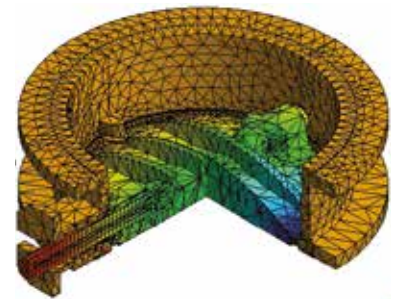
  
Engineering  
**GREAT** Solutions

**Sanitation Line: Butterfly Valve**

# MS Series: Butterfly Valve

NW series butterfly valve is characterized by a wafer style body following the AWWA construction Standard. Combining years of experience and research, the results are longer service life, excellent performance, easy maintenance and interchangeability of components.

*Developed using advanced software tools*



## Key features

- > Eccentric disc
- > Upper and lower end shaft sealing
- > Seat sealing
- > Adjustable thrust bearing

## Benefits

- > **Body**  
Flange style body for installation between flanges according to ASME, AWWA, DIN and NBR Standard. Face to face dimensions according to AWWA C-504 Standard.
- > **Disc**  
Cast disc that minimises the effects of friction with the seat and increasing its service life, allowing flow in smaller degrees of opening providing low pressure drop and torque reduction.
- > **Upper end shaft sealing**  
Adjustable gaskets with grip system removes the need for dispense actuator withdrawal for adjustments.
- > **Lower end shaft sealing**  
Lower end shaft sealing made through O-rings cam located on the shafts and the bearings.
- > **Shaft to disc connection**  
Shaft to disc connection made through stainless steel ASTM A564 condition H1075 (17-4PH) taper pins with conicity of 1:50 with screws and pressure washers at one end to ensure a perfect mounting.
- > **Bearings**  
Bearings made in bronze SAE 660 with self lubricant polymer and dimensions to support all requests.
- > **Adjustable thrust bearing**  
Thrust bearing constructed to allow adjustment of the valve disc position without the need to remove the valve from the pipeline.
- > **Seat sealing**  
Fixed to the body by a device that releases the use of counter flanges or other external part to the valve, it ensures sealing even when installed at the end of the pipeline.

## Product Specification

### Construction standard

EN 593 / ISO 5752 -S13 or S20

### End

Wafer and flanged  
Long and short body

### Face to face

ISO 5211 - S13 or S20  
AWWA C-504

### Dimensions

80 to 2500mm

### Ratings

PN10  
PN16  
PN25

### Seat

Elastomer

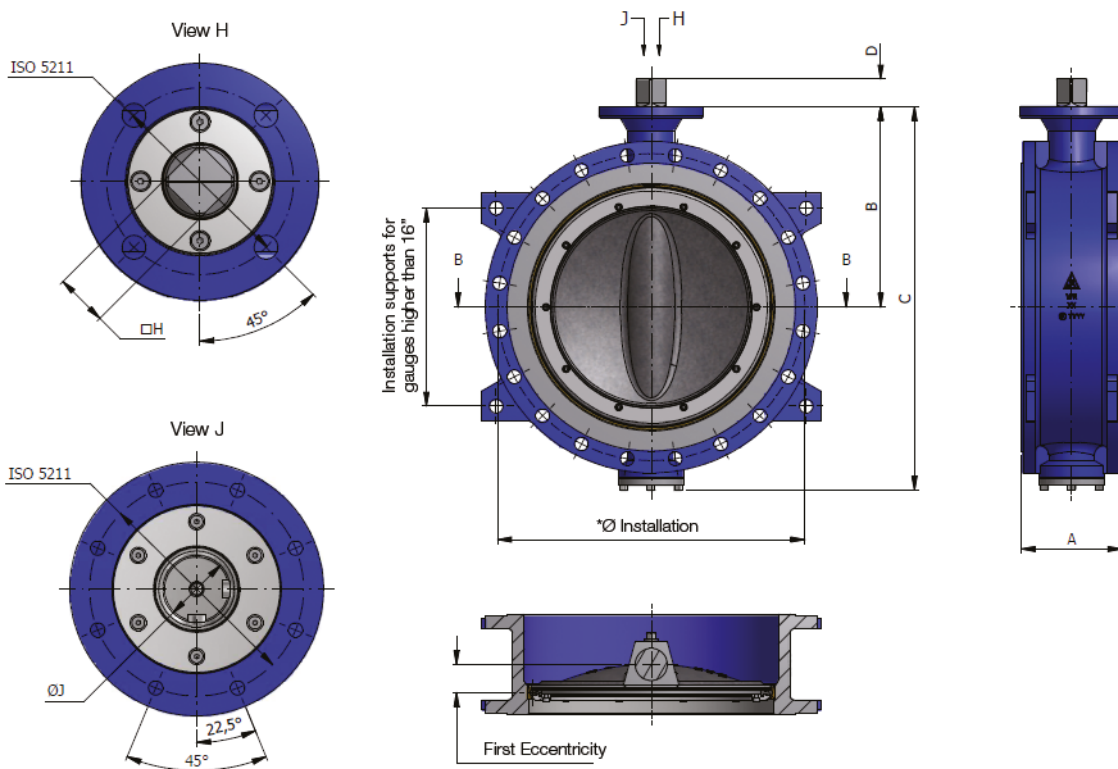
### Materials

ASTM A-536 Cast Iron for Grade 65.45.12a  
Internal Coating in NBR (Buna-N)  
ASTM A-351 Stainless Steel for Grade CF8M  
ASTM A-536 Cast Iron for Grade 65.45.12  
ASTM D-2000 EPDM  
NBR (Buna N) ASTM D-2000  
ASTM A-276 Stainless Steel for Grade 410  
ASTM A-564 Stainless Steel for Grade 630  
H1075  
Bronze

## Typical dimensions

DN	4"	6"	8"	10"	12"	14"	16"	20"	24"	28"	32"	36"	40"	48"
<b>A</b> Flanged ISO 5752 Series 13	127	140	152	165	178	190	216	229	267	287	318	330	410	470
<b>B</b> Wafer ISO 5752 Serie 20	52	56	60	68	78	78	102	127	154	165	190	203	216	254
<b>C</b>	142,5	195	245	294	346	305	341	394	483	514	615,5	719	825	1030
<b>D</b>	274,5	324	376	426	476	598	654	763	921	1008	1120	1220	1325	1523
<b>E</b>	17	22	27	27	27	27	36	36	46	55	108	108	128	128
$\square$ H (Square)	$\square$ 17	$\square$ 22	$\square$ 27	$\square$ 27	$\square$ 27	$\square$ 27	$\square$ 36	$\square$ 36	$\square$ 46	$\square$ 55	-	-	-	-
$\varnothing$ H (Gated)	-	-	-	-	-	-	-	-	-	-	$\varnothing$ 72	$\varnothing$ 72	$\varnothing$ 98	$\varnothing$ 98
<b>ISO 5211</b>	F07	F10	F12	F14	F14	F14	F16	F16	F16	F16	F25	F25	F30	F30

Values in millimetres (mm)



**IMI InterAtiva**

Garabed Gananian Avenue  
Industrial District, 18087-340  
Sorocaba, São Paulo  
Brazil

Tel: +55 (15) 3235 9500  
Fax: +55 (15) 3235 950

[iminterativa.sales@imi-critical.com](mailto:iminterativa.sales@imi-critical.com)

**IMI Critical Engineering**

Lakeside, Solihull Parkway  
Birmingham Business Park  
Birmingham B37 7XZ  
United Kingdom

Tel: +44 (0)121 717 3700  
Fax: +44 (0)121 717 3701

[www.imi-critical.com](http://www.imi-critical.com)



**Critical** Engineering