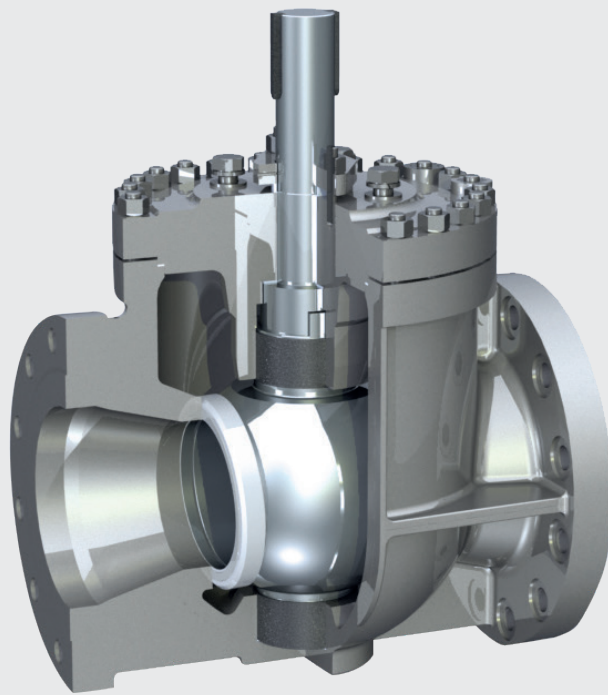



Springless Top Entry Ball Valves




*Engineering
GREAT Solutions*

Trunnion Mounted Ball Valves

Springless Top Entry Ball Valves

IMI Truffo Rona Top Entry Ball Valves are designed and manufactured to meet the most stringent requirements in all critical applications for the oil & gas, chemical & petrochemical industries, PTA (Purified Terephthalic Acid) plants, Liquefied Natural Gas plants, LNG Carriers and LNG Terminals. Our Springless Top Entry Ball Valves feature the unique “Springless Wedge Design”.

Key features

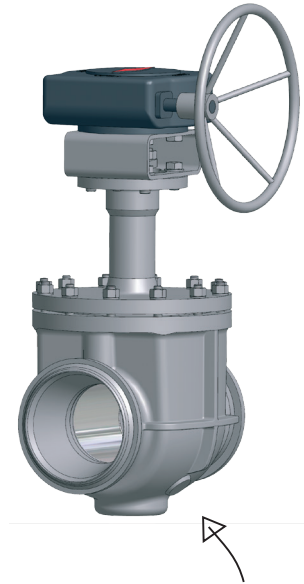
- > Top entry allowing in-line maintenance
- > Trunnion mounted design
- > Wedge access design
- > Bi-directional tight shut-off
- > Bi-directional fire safe
- > Self leveling seats
- > Anti-blowout stem
- > Wide range of sealing combinations
- > Anti-static device
- > Variety of end connections

Benefits

- > Exclusive Wedge-Seat Design
 - Seats are self-adjusting, assuring leak-tight closure under all operating conditions and valve orientations.
 - Automatic compensation for changes that occur as a result of varying pressure, temperature and wear.
 - Sealing elements are kept in tight contact with the ball to assure an even load on the seats at all pressures, temperatures and at all stages.
 - Ball is wiped clean each time the valve is operated.
 - Ball-seat contact is constantly maintained, extending seat life.
- > Minimal number of components
- > Top-Entry configuration allows fast, easy, in-line service and permits emergency situations to be safely and quickly resolved
- > All working parts are accessible for service
- > No special tools or training required for maintenance and repair

Applications

- > Liquefaction of Natural Gas
- > Process fluids
- > Hydrocarbons
- > Steam / geothermal steam
- > Hot gas / sour gas (NACE)
- > Oxygen / hydrogen
- > Blow down
- > Sulphur recovery
- > Acid / caustic / chloride
- > Abrasive service



Structural design optimised



Our Top Entry Ball Valve is fully integrated into the high pressure unloading arm for LNG Floating Storage Regasification Unit in Brazil's Guanabara Bay LNG Terminal



In-house full range cryogenic testing

Product specification & dimensions

Size range

API 6D/6DSS	1/2" through 24"
API 6A	1-13/16" > 13-5/8"
DN	DN12 > DN 1500

Pressure range

ANSI Class	150 > 4500
API Rating	2000 > 20000
PN Rating	PN16 > PN420

Temperature range

-196°C to +650°C
-385°F to +1200°F

End connection

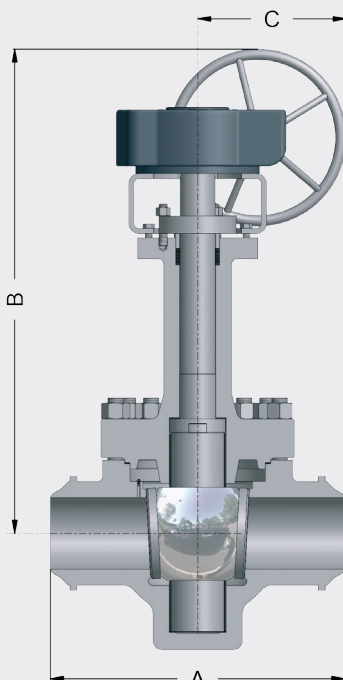
ANSI flanges	ANSI B16.5 / ANSI B16.47
Compact flanges	NORSOK L-005
Special flanges	Designed as required
Hubs	All major hub end design available
Welding ends	Butt or socket welding ends with or without pup pieces

Materials

CS & LTCS
Stainless steel
Duplex
Super duplex
Titanium
Hastelloy
Incoloy
Inconel
Zirconium
Monel

Operation

Manual
Actuated



Class 150 to 1500
Full bore
Top entry
Buttwelding ends
Gear operated

DN	Class 150				Class 300			
	A	B	C	Weight	A	B	C	Weight
4"	305	800	245	95	305	800	245	110
6"	457	950	340	225	457	950	340	250
8"	521	1050	405	420	521	1050	405	470
10"	559	1150	425	650	559	1150	425	710
12"	635	1240	440	900	635	1240	440	990
14"	762	1280	440	960	762	1280	440	1060
16"	838	1500	435	1290	838	1500	435	1420
18"	914	1540	435	1950	914	1540	435	2170
20"	991	1650	520	3555	991	1650	520	3815

All dimensions in mm

DN	Class 600				Class 900				Class 1500			
	A	B	C	Weight	A	B	C	Weight	A	B	C	Weight
3"	356	675	215	65	381	675	254	110	470	730	334	135
4"	432	760	335	135	457	860	380	195	546	875	381	270
6"	559	910	343	300	610	940	380	385	705	1040	406	470
8"	660	955	424	540	737	1035	380	820	832	1100	510	1260
10"	787	1020	384	980	838	1300	510	1200	991	1450	510	1800
12"	838	1350	384	1400	965	1450	510	1800	1130	1650	510	2400
14"	889	1450	384	2000	1029	1550	510	2300	1257	1850	510	3300
16"	991	1500	384	2350	1130	1750	510	3400	1384	2150	510	5200
18"	1092	1600	510	3100	1219	1850	510	4500	1537	2405	520	5500
20"	1194	1750	520	4100	1321	1950	520	5800	1664	2535	595	7000
24"	1397	1850	520	6300	1549	2066	595	8000	2043	2567	620	12000

All dimensions in mm

IMI Truflo Rona Italy

Truflo Rona S.r.l.
Via Grilli 2/A San Nicolò di Rottofreno
29010
Piacenza
Italy

Tel: +39 0523 766111
Fax: +39 0523 766112

IMI Truflo Rona Belgium

Truflo Rona S.a.
3eme Avenue
P.I. des Hauts Sarts
4040
Herstal
Belgium

Tel: +32 (0) 4 240 68 86
Fax: +32 (0) 4 248 02 46

imitrufflorona.sales@imi-critical.com

IMI Critical Engineering

Lakeside, Solihull Parkway
Birmingham Business Park
Birmingham B37 7XZ
United Kingdom

Tel: +44 (0)121 717 3700
Fax: +44 (0)121 717 3701

www.imi-critical.com



Critical Engineering