


WR Series

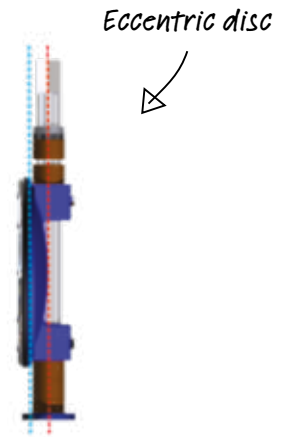



Engineering
GREAT Solutions

Sanitation Line: Butterfly Valve

WR Series: Butterfly Valve

Our high performance butterfly valve WR series has been designed for the growing sanitation market. Developed to international standards, it has an automatic sealing system, providing high reliability under high and low pressure, longer service life and low operating torque.



Key features

- > Eccentric or double eccentric disc
- > Manual or automatic actuation
- > Shaft sealing
- > Automatic sealing

Benefits

> Body

Flange style body for installation between flanges according to ASME, AWWA, DIN and NBR Standards. Face to face dimensions according AWWA C-504

> Disc

Disc designed to minimise pressure drop in fully open position, as well as to allow greater flow rate in smaller degrees of opening

> Shaft sealing

Sealing is made by gaskets with packing gland mounted in an inverted position, allowing easy adjustment and uniform compression of the gaskets without interfering with actuator mounting directly on the top flange. Standard gaskets facilitate their interchangeability

> Actuation

The valve body and top flange are designed to allow manual, pneumatic or electric actuation while ensuring it still meets ISO 5211

> Automatic sealing

It ensures tightness under low and high pressure, attached to disc by means of stainless steel retaining ring

> Seat

It is mechanically fitted to the body with a polished sealing surface, guaranteeing low operating torque and longer service life

> Finite elements

Designed and developed using the latest software and finite element analysis to ensure design integrity and the reliability of the valve

Product Specification

Construction standard

AWWA C-504

End

Flanged
Long and short body

Face to face

AWWAC-504 - FLG standard

Dimensions

75 to 2500mm

Ratings

PN10
PN16
PN25

Seat

Elastomer / Polyurethane

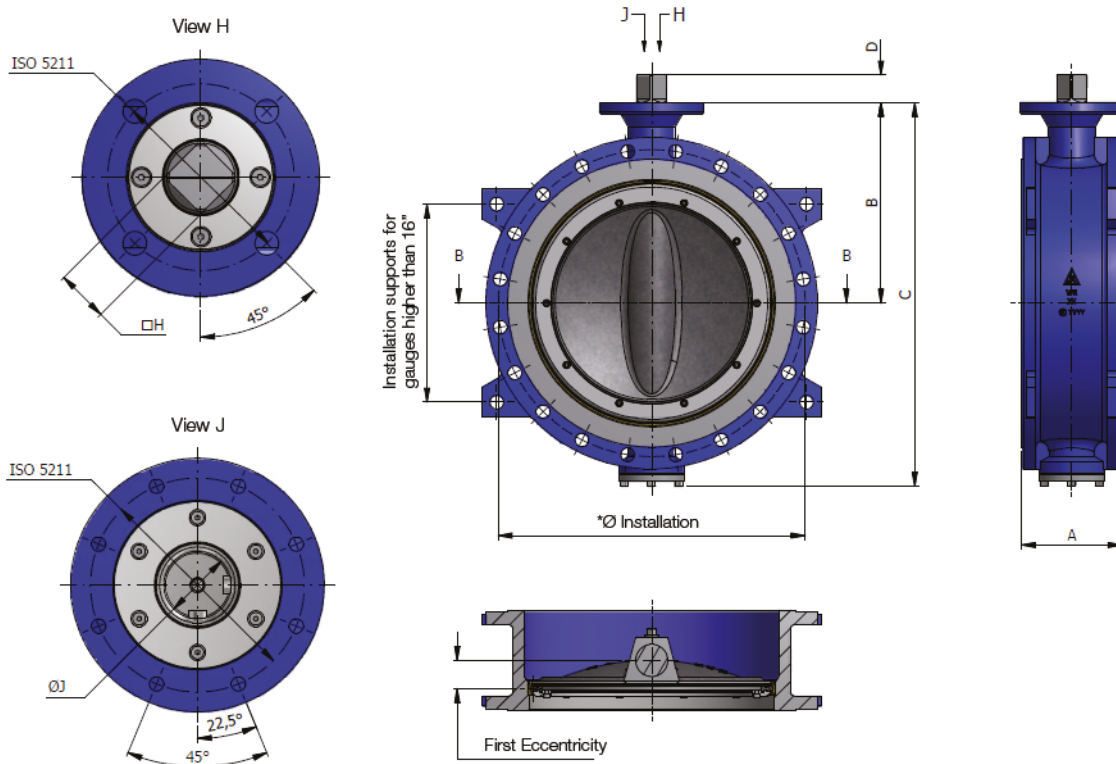
Materials

ASTM A-536 i for grade 65.45.12
ASTM A-351 stainless steel for grade CF8M
ASTM A-536 cast iron for grade 65.45.12
ASTM D-2000 EPDM
NBR (Buna N) ASTM D-2000
Hypalon
ASTM A-276 stainless steel for grade 410
ASTM A-276 stainless steel for grade 304
Bronze

Typical dimensions

DN	4"	6"	8"	10"	12"	14"	16"	20"	24"	28"	32"	36"	40"	48"
A	127	127	152	203	203	203	203	203	203	305	305	305	305	381
B	140	190	209	215	247	305	353	430	509	585	625	690	770	1080
C	260	368	400	411	548	598	660	790	932	1091	1190	1320	1450	1610
D	17	22	27	27	27	27	36	36	46	55	108	108	128	128
□ H (Square)	□ 17	□ 22	□ 27	□ 27	□ 27	□ 27	□ 36	□ 36	□ 46	□ 55	-	-	-	-
∅ H (Gated)	-	-	-	-	-	-	-	-	-	-	∅ 72	∅ 72	∅ 98	∅ 98
ISO 5211	F07	F10	F12	F14	F14	F14	F16	F16	F16	F16	F25	F25	F30	F30

Values in millimetres (mm)



IMI InterAtiva

Garabed Gananian Avenue
Industrial District, 18087-340
Sorocaba, São Paulo
Brazil

Tel: +55 (15) 3235 9500
Fax: +55 (15) 3235 950

iminterativa.sales@imi-critical.com

IMI Critical Engineering

Lakeside, Solihull Parkway
Birmingham Business Park
Birmingham B37 7XZ
United Kingdom

Tel: +44 (0)121 717 3700
Fax: +44 (0)121 717 3701

www.imi-critical.com



Critical Engineering